



الشركة الدولية لأنظمة الأمن والسلامة  
International Security & Safety Systems Co.

www.issystems.com

# ISS PRODUCTS

---



## INTRODUCTION

- 1989** ISS has been serving industrial, commercial, government and oil & gas sites in the field of fire and security systems as a specialized contractor and agent for many international firms.
- 2001** ISS opened its manufacturing facility, located in AL OBOUR city, which provides blending foam concentrates, packaging of fire pumps approved by Egyptian civil defense and NRC, Co2/Dry powder systems, assembly and piping fabrication for firefighting systems.
- 2003** ISS has been awarded the first UL approval in Egypt & Africa on blending AFFF, AR/AFFF, and FP Foam concentrates under license from Chemguard-USA.
- 2012** ISS has been approved to package UL/FM fire pumps in Egypt, in the cooperation of EPE & PTEI.
- 2014** ISS has been awarded UL approval of aboveground tank for flammable liquids.
- 2015** ISS expands its UL/FM pump range to 2800 and 3560 RPM for 60 HZ. countries.
- 2016** ISS has been awarded the ASME certificate - "U-stamp" as a first step to apply on UL for bladder tanks.
- 2017** ISS was the first Egyptian factory to receive the UL listing on their ASME and CE Bladder tanks.
- 2019** ISS has been awarded UL/FM approval of range (24-420 GPM) Foam pump -OEM-with Firelion.
- 2020** ISS has been awarded ISO 9001:2015, ISO 14001:2015, ISO 45001:2018.
- 2021** ISS has been awarded UL Listed "Auto-Firex" Cylinder for DLP System.
- 2022** ISS has been approved as "HYGOOD" FM200 Filling Station - UL/FM (First Fill/Refill).
- 2024** ISS has been awarded the UL Approval for blending AFFF, AR/AFFF, FP, FFFP, and AR/FFFP Foam Concentrates under license from FIRECHEM-INDIA.
- 2025** ISS has been awarded the UL/FM in cooperation with NMFIRE Pumps for (200-5000gpm) Fire pump package. ISS has been approved as "HYGOOD" Sapphire Filling Station - UL/FM (First Fill/Refill). ISS has received the UL Listing for Foam discharge devices (Foam Chambers and Foam Pourers). ISS has received the UL Listing for Bladder Tanks with Free Flourine Foam in cooperation with JCI-International.

### ISO Certificate



## FACTORY CAPABILITIES

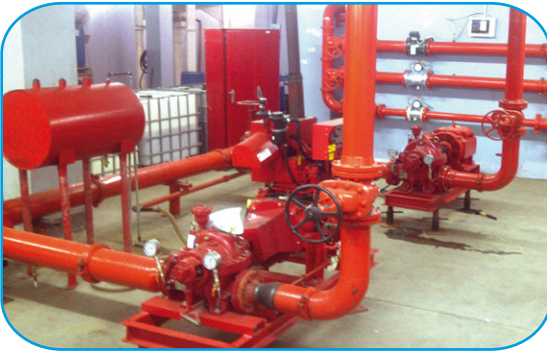
ماكينة اللحام الأتوماتيكية  
Automatic welding machine



محطة تعبئة الغاز  
LPCB - FM200 filling station & systems



محطة اختبار مضخات الحريق  
UL/FM fire pumps test rig



مجموعة مضخات البنك الأهلي المصري  
UL/FM pump skid project



محطة خلط رغوة إطفاء الحريق  
UL Listed foam blending station



وحدة اختبار الضغط حتى 50 بار  
Hydrostatic pressure test station



## EGY - FHC 1" FIRE HOSE CABINET

### Description

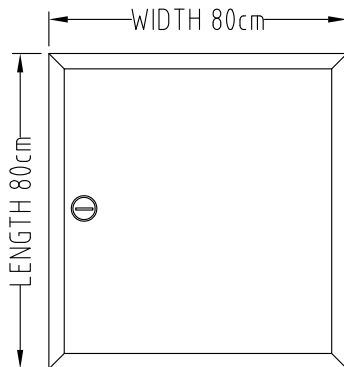
- Wall fire cabinet included reel with rubber hose.
- The cabinet is designed to be fixed on wall and also it has an external frame to allow installation inside the wall if required.
- The door leaf is attached to the cabinet with hinges allow opening up to 180°.
- The cabinet door is provided with lock allow easy open.
- The cabinet is provided with 2 feeding holes for easy installation of water source.
- This cabinet is allow to use the hose as long as needed without need to pull out the hole long.
- Model : EGY - FHC 1"

### Option

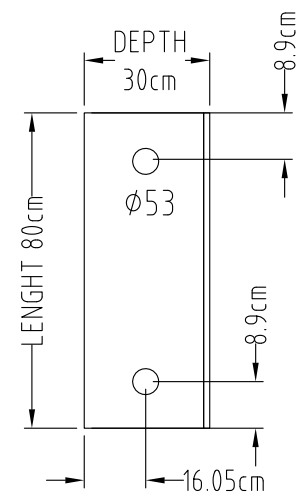
- Cabinet recessed mounted with stainless steel single door  
Model : EGY - FHC 1" - SS



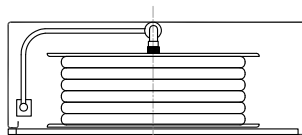
### Dimensions



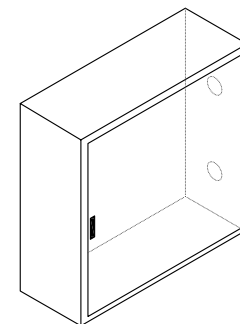
ELEVATION



SIDE VIEW



INSIDE TOP VIEW



ISOMETRIC





## EGY - FHC 1 $\frac{1}{2}$ " & 2 $\frac{1}{2}$ " FIRE HOSE CABINET

### Description

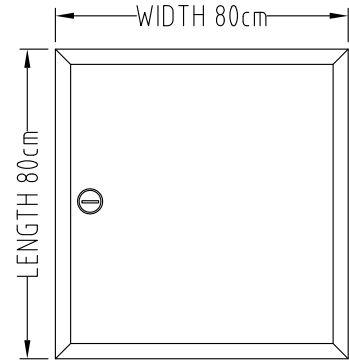
- Wall fire cabinet included reel with rubber hose
- The cabinet is designed to be fixed on wall and also it has an external frame to allow installation inside the wall if required.
- The door leaf is attached to the cabinet with hinges allow opening up to 180°.
- The cabinet door is provided with lock allow easy open.
- The cabinet is provided with 2 feeding holes for easy installation of water source.
- This cabinet is allow to use the hose as long as needed without need to pull out the hole long.
- Model : EGY - FHC 1 $\frac{1}{2}$ " - EGY - FHC 2 $\frac{1}{2}$ "

### Option

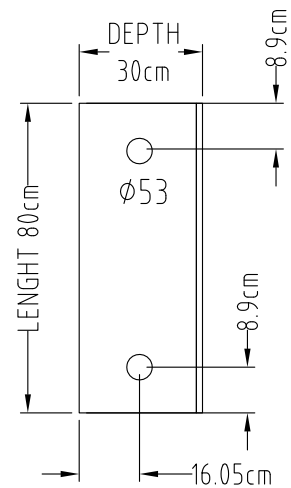
- Cabinet recessed mounted with stainless steel single door  
 Model : EGY - FHC 1 $\frac{1}{2}$ " SS - EGY - FHC 2 $\frac{1}{2}$ " SS



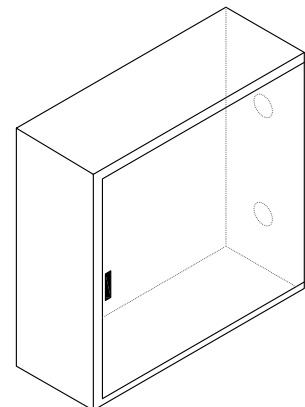
### Dimensions



ELEVATION



SIDE VIEW



ISOMETRIC



## FIRE HOSE - UL APPROVAL



### Type 1 TORRENT FIRE HOSE

it is a single Jacket hose completely made of 100% Polyester Yarn and Inner Synthetic EPDM rubber lining for higher durability and lighter weight conforms to BS 6391:2009 Type 1



### Type 3 TORRENT ARMOR FIRE HOSE

it is a heavy duty fire Hose made of three layers, 100% Synthetic Yarn with high quality Nitrile Synthetic Rubber Extruded through the weave from inside and outside to give Unified Construction. It has a smooth inner surface for low frictional loss and external cover with ribs for higher abrasion resistance and ease of handling. Resistance to different types of attack: abrasion, oils, acids, chemicals, craking, heat, adverse weather conditions, delamination, kinking, petroleum, ...etc. long life, flexible, compact and does not require drying after use - conforms to BS 6391:2009 Type 3

### TECHNICAL DATA FOR BOTH HOSES

Inner Diameter	50mm		63mm	
	PSI	BAR	PSI	BAR
Burst Pressure	600	42	600	42
Proof Pressure	400	28	400	28
Kink Pressure	300	21	300	21
Working Pressure	255	18	255	18
Service Pressure	200	14	200	14

### Accessories



EGY - 093  
MULTI - Functional Nozzle



EGY - 026  
Water Nozzle



EGY - 198B  
Landing Valve Oblique Type

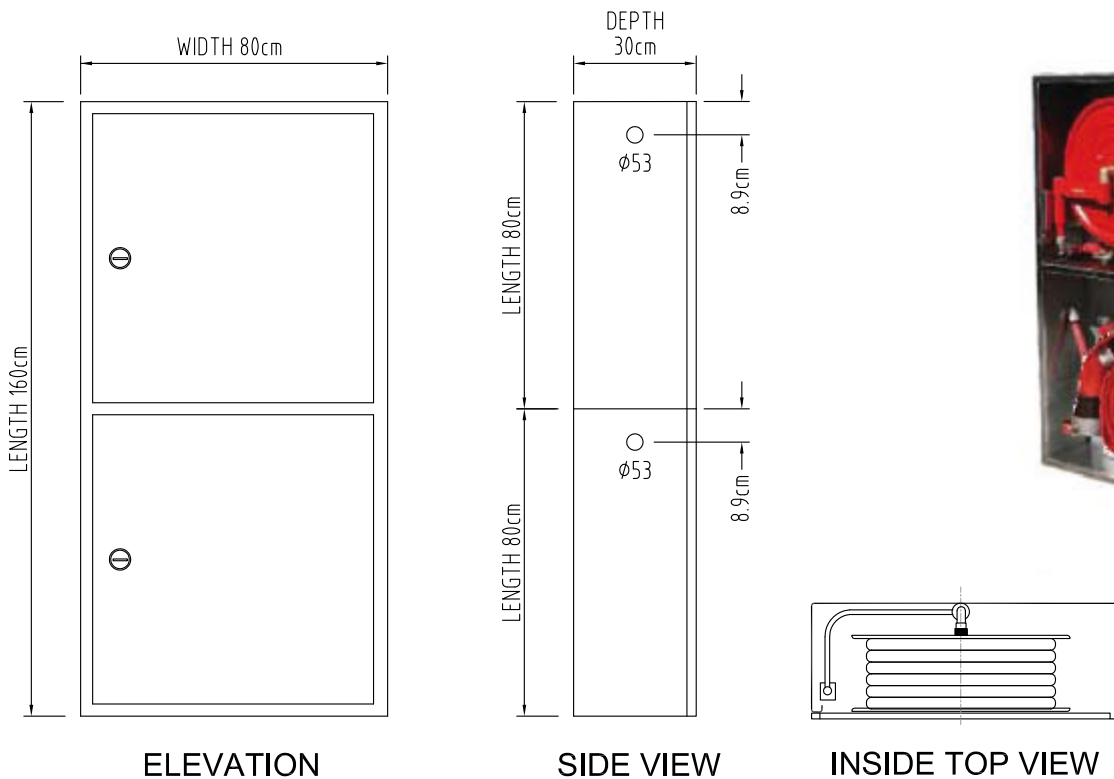
## EGY - DHC DOUBLE FIRE HOSE REEL CABINET

### Description

- Wall fire cabinet included reel with rubber hose
- The cabinet is designed to be fixed on wall and also it has an external frame to allow installation inside the wall if required.
- The door leaf is attached to the cabinet with hinges allow opening up to 180°.
- The cabinet door is provided with lock allow easy open.
- The cabinet is provided with 2 feeding holes for easy installation of water source.
- This cabinet is allow to use the hose as long as needed without need to pull out the hole long.
- Model : EGY - DHC

### Option

- Cabinet recessed mounted with stainless steel double doors  
Model : EGY - DHC - SS



## FIRE HOSE - UL APPROVAL



### Type 1 TORRENT FIRE HOSE

it is a single Jacket hose completely made of 100% Polyester Yarn and Inner Synthetic EPDM rubber lining for higher durability and lighter weight conforms to BS 6391:2009 Type 1



### Type 3 TORRENT ARMOR FIRE HOSE

it is a heavy duty fire Hose made of three layers, 100% Synthetic Yarn with high quality Nitrile Synthetic Rubber Extruded through the weave from inside and outside to give Unified Construction. It has a smooth inner surface for low frictional loss and external cover with ribs for higher abrasion resistance and ease of handling.

Resistance to different types of attack: abrasion, oils, acids, chemicals, craking, heat, adverse weather conditions, delamination, kinking, petroleum, ...etc. long life, flexible, compact and does not require drying after use - conforms to BS 6391:2009 Type 3

### TECHNICAL DATA FOR BOTH HOSES

Inner Diameter	50mm		63mm	
	PSI	BAR	PSI	BAR
Burst Pressure	600	42	600	42
Proof Pressure	400	28	400	28
Kink Pressure	300	21	300	21
Working Pressure	255	18	255	18
Service Pressure	200	14	200	14

### Accessories



EGY - 093

MULTI - Functional Nozzle



EGY - 026

Water Nozzle



EGY - 198B

Landing Valve Oblique Type

## FOAM HOSE CABINET



### Foam Mixing System Model : EGY - FCAB

- 1 - 1 x Foam Eductor
- 2 - Low Expansion Nozzles
- 3 - Medium Expansion Nozzles
- 4 - High Expansion Nozzles
- 5 - Foam Concentrates ( 3% or 6% AFFF )

### Description

ISS Foam Hose Cabinet is one of our standard product characterized for its high performance for attacking class A,B fire within seconds. Designed for single man operation.

Highly efficient in gas stations, petro-chemical plants, industrial premises, warehouse and in any areas, requires protection .

- Cabinet and door are made of 1.5 mm2 thickness steel (1.5 or 2 mm2) and dimensions 95 x 95 x 30 cm .
- Cabinet painting is done by electrostatic powder coating process, oven baked to temperature between 160°C - 200°C.
- Stainless Steel model also available upon request.
- Operating instructions are silk screen printed in English and Arabic inside the cabinet doors.



The cabinet can be floor or wall mounted, complete with eductor, 1 ½" or 2 ½" hose (15 , 20 or 30 meters) with instantaneous BS coupling, low / medium / high expansion foam nozzles and 20 liters or larger AFFF foam concentrates.

- Larger sizes of foam concentrate containers are also available .



Inline Cabinet Eductor  
Made in EGYPT  
EGY - 012



Landing Valve Oblique Type  
EGY - 198B



MULTI - FUNCTIONAL NOZZLE  
EGY - 093



Low Expansion  
Made in EGYPT  
EGY - 010Z



Medium / High Expansion Nozzles



Fire Hose Type I & Type III  
1 ½" & 2 ½"

## UL - FIRE HOSES

### Type 1 TORRENT FIRE HOSE

It is a single Jacket hose completely made of 100% Polyester Yarn and Inner 'Synthetic EPDM rubber lining' for higher durability and lighter weight - conforms to BS 6391:2009 Type 1  
Only available in white color - standard length ( in meters ) : 15 and 30

#### APPLICATION

Fire Brigade  
Industrial Plants  
Power Plants  
Textile Mills  
High Rise Building  
Shipping Industry



### Type 2 TORRENT WALCOAT FIRE HOSE

It is a synthetic single jacket hose completely made of Polyester Yarn and inner 'Synthetic EPDM' Rubber Lining and external coating of synthetic elastomer providing protection against moisture, mildew and ---- oils. This hose does not need drying after use - conforms to BS 6391:2009 Type 2  
Only available in red color - standard length ( in meters ) : 15 and 30

#### APPLICATION

As type 1 - applications -plus  
Coal Mines ( resist oils .)



### Type 3 TORRENT ARMOR FIRE HOSE

It is a heavy duty fire Hose made of three layers, 100% Synthetic Yarn with high quality Nitrile Synthetic Rubber Extruded through the weave from inside and outside to give 'Unified Construction'. It has a smooth inner surface for low frictional loss and external cover with ribs for higher abrasion resistance and ease of handling.

Resistance to different types of  
attack:abrasion,oils,acids,chemicals, craking ,heat , adverse weather conditions , delamination , kinking , petroleum,...etc. Long life , flexible ,compact and does not require drying after use - conforms to BS 6391:2009 Type 3

Only available in red color - standard length ( in meters ) : 15 and






#### APPLICATION

As above applications , but specially manufactured  
For Oil & Chemical Industries.



## COMPARISON BETWEEN UL APPROVED FIRE HOSE

Description	Types of Fire Hoses - UL Approved		
	Type 1 Torrent	Type 2 Torrent Walcoat	Type 3 Torrent Armor
Picture			
Working Pressure	18 bar (255 psi)		
Proof Pressure	28 bar (400 psi)		
Burst Pressure	42 bar (600 psi)		
Kink Test	21 bar (300 psi)		
Abrasion Test	300 cycles min		
Heat Resistance	600 deg cel For 10 sec	600 deg cel for 10 sec	600 deg cel For 20 sec
Oil Resistance	Nil	Some Oils	All Oils
Chemical	Nil	Nil	Major Chemicals
Acids	Nil	Nil	Major Acids
Ozone Resistance	Inner Lining Ozone Resistance tested at 50pphm @ 50 deg cel for 96 hrs		
Ribbed for Ease	Nil	Nil	Yes
Maintainence	High	Medium	Low
Requires drying	Yes	No	No
Smooth inner lining	Yes	No	No
Water Absorbtion	High	Medium	Low

**EGY - SMFC / FMFC MOBILE FOAM CART**

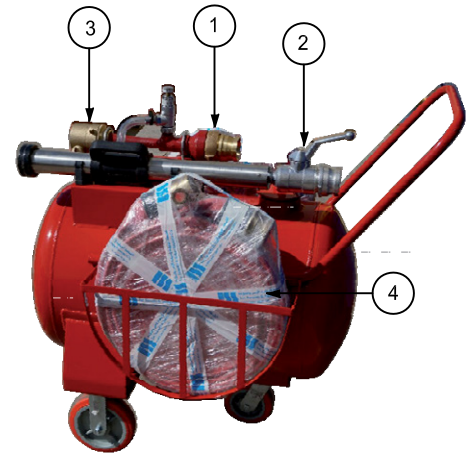
STEEL / FIBERGLASS MOBILE FOAM CART  
EGY - SMFC / FMFC



# EGY - SMFC / FMFC MOBILE FOAM CART

## ADVANTAGES & FEATURES

- Easily filled via a top opening allowing visual inspection of existing foam fill.
- Easily cleaned and maintained through bottom drain hole.
- Non-corrosive, fiber glass material tank.
- Fitted with VFE providing discharge of up to 450 Lpm.
- Ready for any type of foam concentrate.
- 2 x Back rubber inflatable wheels for easy maneuvering.
- Large sizes available with front rubber wheel better mobility.
- Available sizes: 140 ltr, 200 ltr, and 250 ltr.



## OPTIONS

- Fire hose ( 15, 20 & 30 meters. ) with quick coupling.
- Low expansion foam branch pipe.
- Medium expansion maker and gauge.
- High expansion generator with gauge.
- Non-inflatable wheels.
- Stainless Steel version for marine applications.

1 - Variable Foam Educator  
EGY - 122  
200 OR 400 LPM



2 - Low Expansion Foam Branch Pipe.  
200 OR 400 LPM



3 - Medium Expansion Foam Branch Pipe.  
200 OR 400 LPM



4 - Fire Hose With Quick Couplings



TYPE I



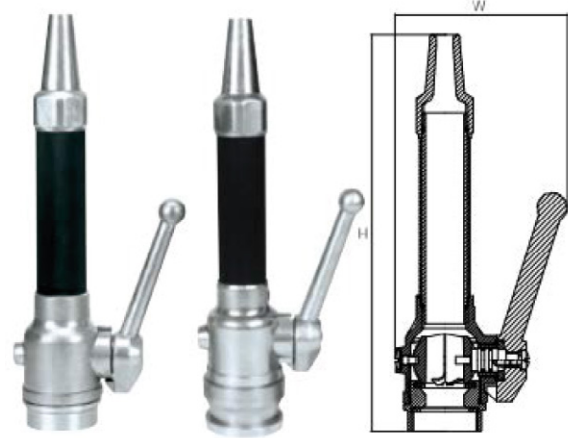
TYPE III



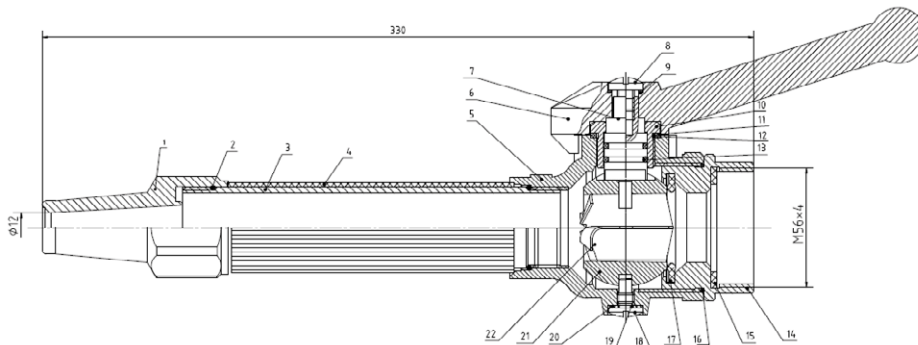
## EGY - 026 WATER NOZZLE

### Description

- Three position aluminum branch pipe with flow rate switch ( Jet - Spray - Stop ), 1½" & 2½" size
- Working pressure : 16 bar
- Test pressure : 24 bar



Size	H(mm)	W(mm)	Inlet	Outlet
DN40	330	150	DSP40	12mm
DN65	350	150	BS336	12.5mm



11	GASKET	1	NYLON
10	CAP	1	BRASS
9	WASHER	1	65Mn
8	BOLT	1	STEEL
7	STEM	1	BRASS
6	HANDLE	1	AL
5	VALVE	1	AL
4	SHEATH	1	RUBBER
3	PIPE	1	AL
2	"O" RING	2	NBR
1	NOZZLE	1	AL
NO.	PART NAME	QTY	MATERIAL

22	WATERSHED CONE	1	STEEL
21	BALL	1	ZL102
20	GASKET	1	NBR
19	"O" RING	1	NBR
18	BOLT	1	STEEL
17	GASKET	1	UP
16	"O" RING	1	NBR
15	GASKET	1	NBR
14	COUPLING	1	AL
13	"O" RING	2	NBR
12	"O" RING	1	NBR
NO.	PART NAME	QTY	MATERIAL

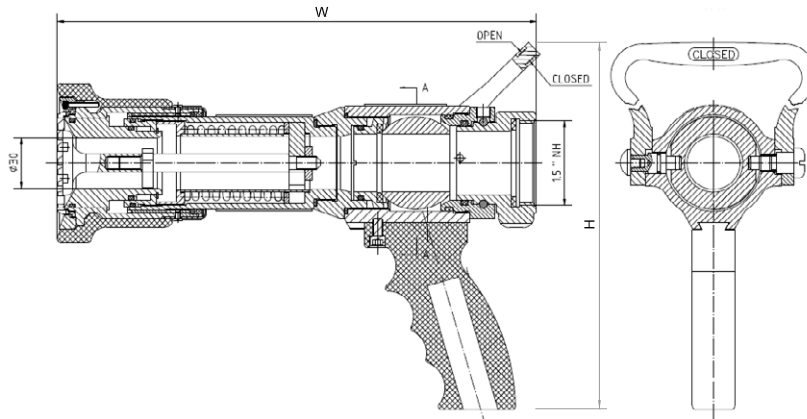
## EGY - 093 MULTI - FUNCTIONAL NOZZLE

### Description

- Turbojet nozzle branch pipe  
4 position water beam and lever  
adjustable flow rate up to  
1200 L/Min at 7 bar
- Working pressure : 16 bar
- Test pressure : 24 bar
- Weight : 1.055 Kg
- Material : aluminum alloy



Size	H(mm)	W(mm)	Inlet	Flow Rate
DN40	220	290	1.5"NH	750 L/min
DN65	220	280	BS336	1200 L/min



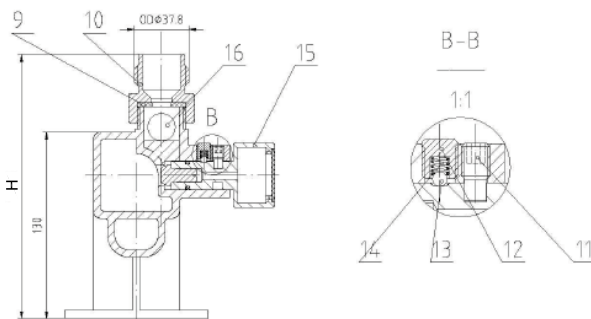
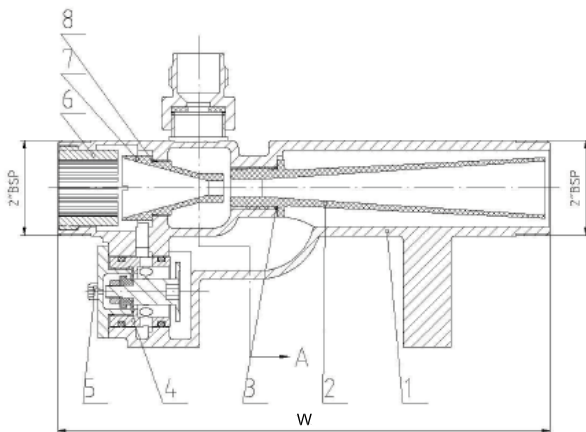
PRESSURE	JET DISTANCE	JET FLOW RATE	SPRAY ANGLE	SPRAY DISTANCE	SPRAY FLOW RATE
0.4 MPa	23m	300L/min	150 °	3 m	400L / min
0.5 MPa	28m	350L/min	150 °	4 m	480L / min
0.6 MPa	33m	420L/min	150 °	5 m	600L / min
0.7 MPa	38m	500L/min	150 °	6 m	750L / min

## EGY - 122 FOAM EDUCTOR

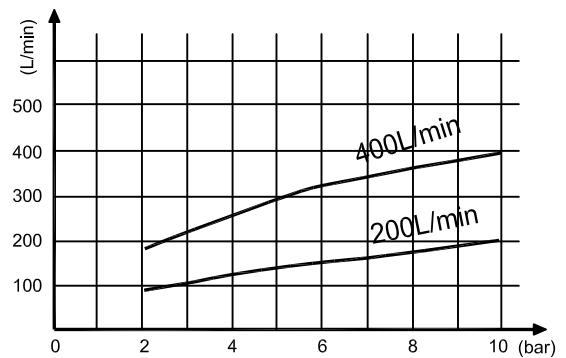
### Description

- Foam mixing rate between 0%-6%
- Red painting surface
- Test pressure 16 bar

Size	H(mm)	W(mm)	Inlet	Outlet	Flow Rate
DN50	185	350	1.5"NH	1.5"NH	200&400 L/min
DN65	185	370	Storz-C	Storz-C	200&400 L/min



Foam Eductor Flow Rate

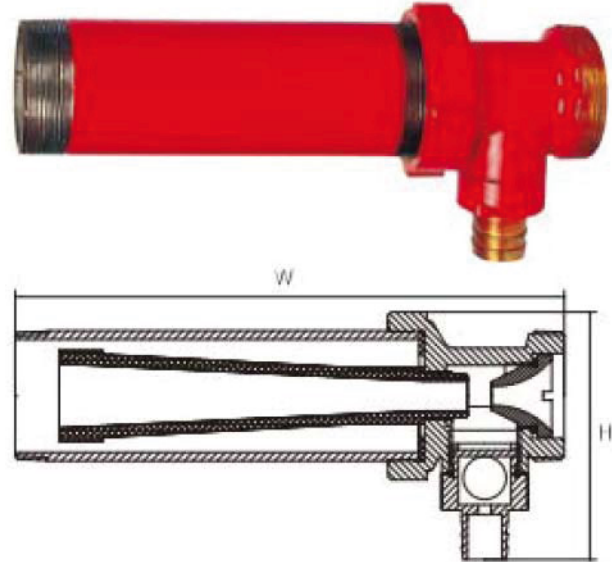


16	NYLON BALL	1	NYLON 6
15	HAND WHEEL ASSEMBLY	1	
14	SPRING	1	SS304
13	BALL	1	HPb58-2A
12	SPRING CUP	1	SS 304
11	SCREW	1	SS 304
10	COUPLING	1	6061
9	GASKET	1	POLYURETHANE RESIN
8	O-RING	1	NBR
7	SPRAY	1	NYLON 6
6	SEPARATOR	1	6061
5	SCREW	2	SS 304
4	BONNET ASSEMBLY	1	
3	O-RING	1	NBR
2	NOZZLE	1	NYLON 6
1	VAI VE	1	A356
NO.	PART NAME	QTY	MATERIAL

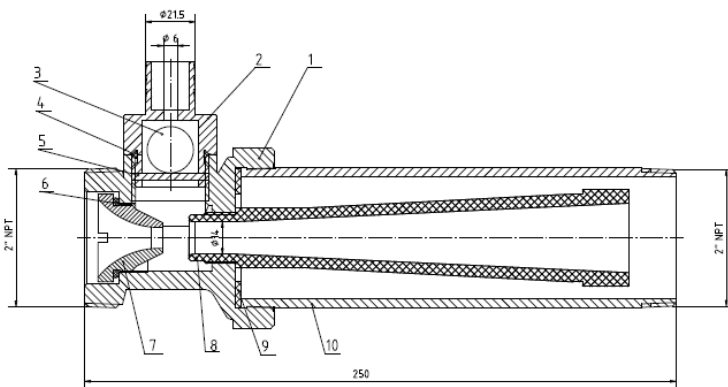
## EGY - 012 FOAM CABINET EDUCTOR

### Description

- Foam Cabinet mixer, 2" NPT - fixed at 3% AFFF foam
- Outlet 200 L/min.
- Working Pressure : 16 bar,
- Test Pressure : 24 bar.



Size	H(mm)	W(mm)	Inlet	Flow Rate
DN50	110	245	2"NPT	200 L/min

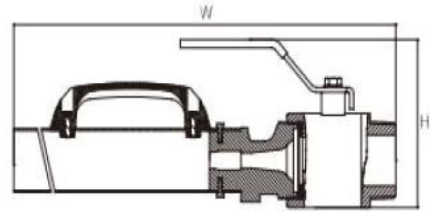


10	TAKE OVER	1	45#
9	SEAL	1	NBR
8	NOZZLE	1	NYLON 6
7	RENEWABLE DISK	1	BRASS
6	"O" - RING	1	NBR
5	RIVET	1	HPb59-3
4	"O" - RING	1	NBR
3	BALL	1	NYLON 6
2	COUPLING	1	BRASS
1	VALVE	1	BRASS
NO.	NAME OF PART	1	MATERIAL

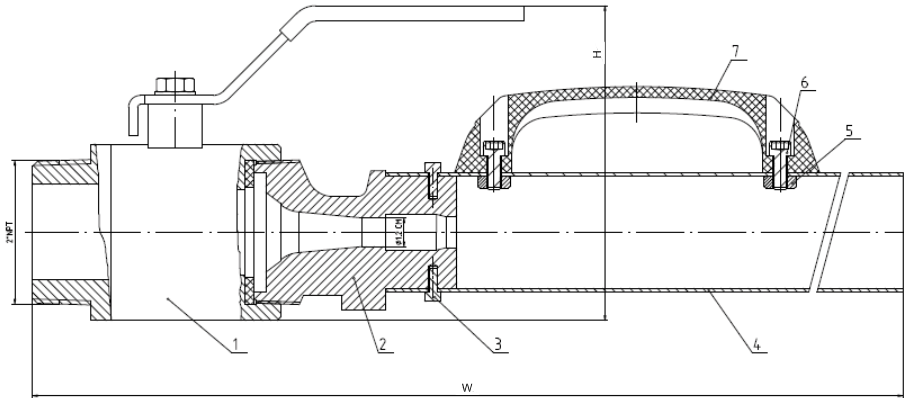
## EGY - 010Z FOAM NOZZLE

### Description

- Aluminum discharge nozzle  
male thread for foam - water solution,  
with valve and lever.
- Under the pressure of 10 Bar flow is 200 L/min.
- Working Pressure : 16 bar,
- Test Pressure : 24 bar.



Size	H(mm)	W(mm)	Inlet	Flow Rate
DN50	132	665	1.5"NH	200 L/min
DN65	132	710	BS336	200 L/min



7	HANDEL	1	PE
6	SCERW	2	304
5	NUT	2	304
4	TAKE OVER	1	6061 OR 3063
3	SCERW	4	304
2	VALVE	1	A 356
1	BALL VALVE ASSEMBLY	1	
NO.	NAME OF PART	QTY	MATERIAL

## EGY - FH4/6-O WITH OBLIQUE VALVE

Model : EGY - FH4 / 6 -0

4" or 6" Fire Hydrant # 150 ANSI :

- 2 x 2 ½" FNHT UL Listed Outlet Fire Hose
- Valve with caps & chain and 2 ½" instantaneous couplings.
- Tested 20 Bar

### Hydrant Valve Feature:

- 1.The product is according to BS 5041-1:1987 design.
- 2.The landing valves are suitable for continuous use at 15 bar pressure at temp range from 0°c to 38°c
- 3.Seal test : 16.5 bar,  
the test medium: water, holding pressure 2 minutes.
- 4.Body strength test: 22.5 bar.  
the test medium: water, holding pressure 2 minutes.
- 5.Water flow rate test : discharge flow rate of 8.5 L / min.  
at > 4 bar when inlet pressure 4.7 bar.
- 6.The number of turns 4 ~ 10
- 7.Body thickness > 3mm
- 8.Fully red painting of body & bonnet surface (RAL3000)
- 9.Valve weight is 5-kg.



## EGY - FH 4/6 FIRE HYDRANTS WITH 90 VALVE

Model : EGY - FH 4 / 6

4" or 6" Fire Hydrant :

- 2 x 2 ½" FNHT UL Listed Outlet Fire Hose Valve with 2 ½" B.S.
- Instantaneous couplings with caps & chain
- Each hydrant is factory tested to 22 bar.

### Hydrant Valve Features

300 psi rated pressure UL Listed, angle hose valve with caps & chain

- UL / FM Air Vent
- UL / FM Pressure Gauge





### Products Sold to:

-  SAUDI ARABIA
-  SUDAN
-  LIBYA
-  DJIBOUTI
-  UAE
-  QATAR
-  MOROCCO
-  TUNISIA
-  GREECE
-  INDONESIA
-  ROMANIA

[info@issystems.com](mailto:info@issystems.com)

49Abbas El Akkad St, - Cairo - Egypt  
P.O. Box 4058 - Nasr City  
Tel.: +202 24047424 - 24017430  
Fax: +202 22627317